

# Cascade Roman Blind

## Product Information

Cascade Roman Blind offers a premium modern appearance with a sleek contemporary design to match any interior. The stainless steel chain provides a feather-light and quiet operation.

The Cascade Roman Blind is a perfect complimentary product for Verosol's Mode Roller Blind.

## Further Information

To find out more information phone Verosol Customer Care on 1800 721 404 or visit [www.verosol.com.au](http://www.verosol.com.au)



## Technical Information

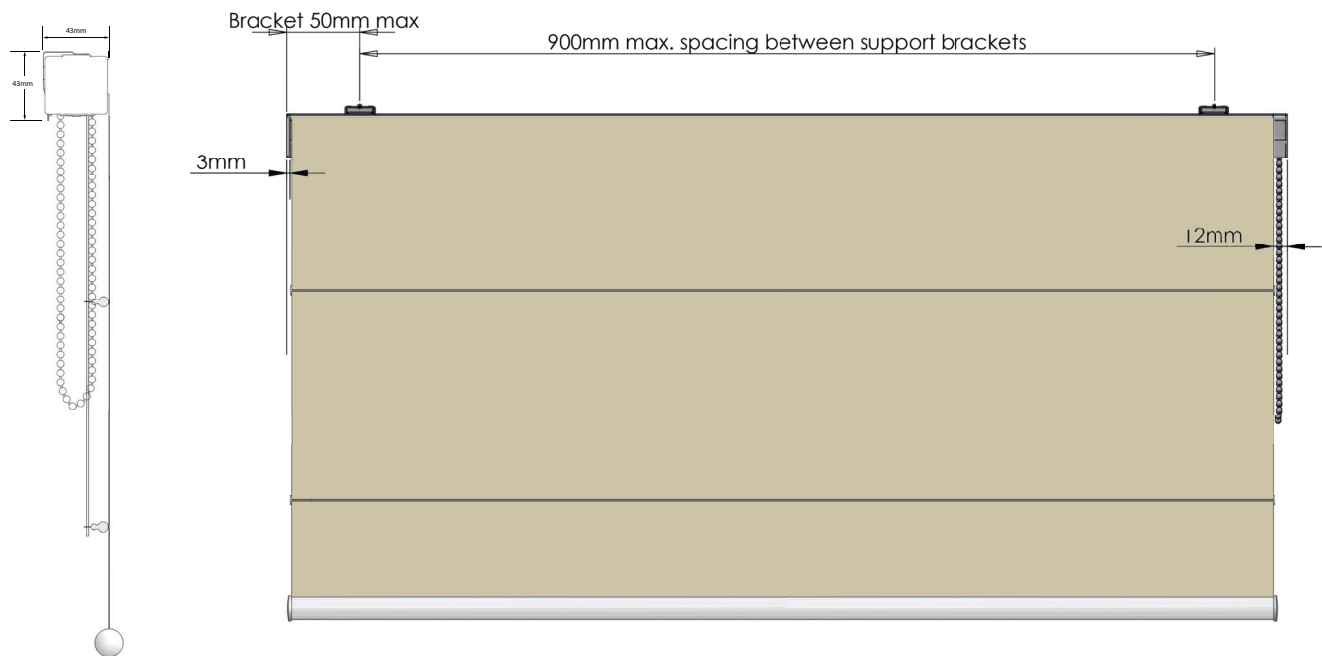
<b>Product Code</b>	M203.0	
<b>Product Name</b>	Cascade Roman Blind	
<b>Operation</b>	Stainless Steel Chain Operation	
<b>Dimensions</b>	Width	600mm minimum - 3000mm maximum
	Drop	500mm minimum - 3000mm maximum
	Maximum Area	9m <sup>2</sup>
<b>Base Rail Options</b>	Flat [11mm x 22mm], Round [22mm], Verosol [17mm x 28mm] or Elliptical [11mm x 22mm]	
	Colours	Paint: White, Black and Barley    Anodised: Clear
<b>Control</b>	Mechanism	Choice of either Direct Drive mechanism with a 1:1 ratio or Planetary Drive with a 3.5:1 ratio of operation
	Colours	Paint: White
	Chain	Pre-looped Stainless Steel available in the following sizes: 500mm, 750mm, 1000mm, 1250mm, 1500mm, 1750mm, 2000mm
<b>Brackets</b>	Material	Press formed steel, pre-treated and powder coated
	Colours	White

Turn over for system diagrams

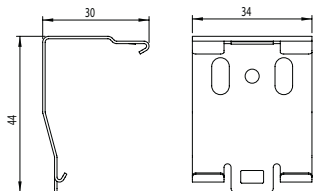
# Cascade Roman Blind

## System Diagrams

### Chain Operation



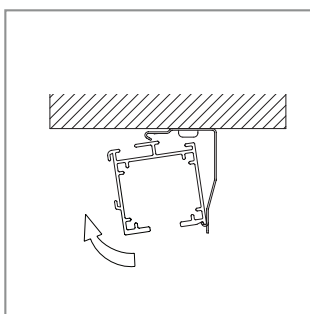
### Mounting Clips



Low profile non-obtrusive Mounting Clips  
Effortless installation

### Attach head rail to mounting clip

#### Top Fix



#### Face Fix

