

# Ambience Roller Blind

## Product Information

**Ambience Roller Blind** offers a robust system utilising the new generation hardware system, the Ambience Roller Blind incorporates many advanced features such as spring assist, easy installation and a range of accessories.

The Ambience Roller Blind is suitable for both commercial and residential use, available as either chain control or motorised operation.

## Further Information

To find out more information or to create your specification visit [verosol specifications.com.au](http://verosol specifications.com.au) or call 1800 721 404



## Technical Information

<b>Product Code</b>	R200.0		
<b>Product Name</b>	Ambience Roller Blind		
<b>Operation</b>	Stainless Steel Chain Operation		
<b>Dimensions</b>	Width	300mm minimum - 3000mm maximum	
	Drop	300mm minimum - 3000mm maximum	
	Spring Assist	850mm minimum width	
	Maximum Area	6m <sup>2</sup> without spring assist / 8m <sup>2</sup> with spring assist	
<b>Roller Tube</b>	Light - 43mm	Standard - 44mm	Heavy Duty - 49mm
	Optimised for fabric weight and width of blind to reduce tube deflection		
<b>Base Rail Options</b>	Flat [11mm x 22mm], Round [22mm], Verosol [17mm x 28mm] or Elliptical [11mm x 22mm]		
	Colours	Paint: White, Black and Sandstone, Anodised: Clear [Colour availability dependant on rail type]	
<b>Control</b>	Mechanism	Direct action, high tensile wound steel spring which operates in such a way that it only applies the precise braking power necessary to keep the blind in the desired position.	
	Idler	Extendable pin idle-end for easy installation. The idle-end extends up to 10mm in increments of 1mm for improved installation.	
	Colours	Paint: White, Black, Sandstone and Silver Grey	
	Chain	Stainless Steel [PVC, Nickel Plated Steel available on request]	
<b>Brackets</b>	Material	Press formed steel, pre-treated and powder coated	
	Colours	White, Black, Sandstone and Silver Grey	

Turn over for motorisation and optional extras

# Ambience Roller Blind

## Motorisation

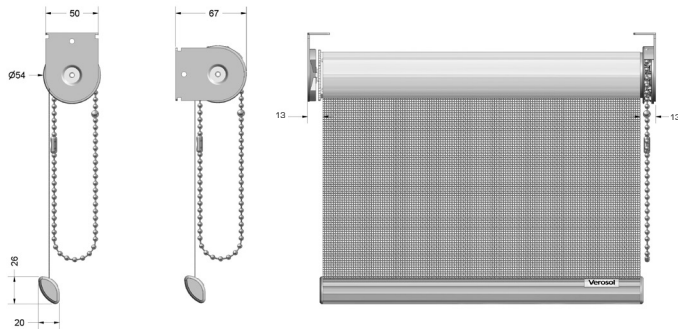
Product Code	R200.1	R300.4	R200.6
Operation	5V   12V Wirefree	12 Wirefree Sonesse 30 RTS	240V AC Motorised
Dimensions	Min Width: 1.1Nm: 640mm   2Nm: 740mm   3Nm: 950mm Max Width: 3000mm	W: 685mm - 3000mm	W: 600mm - 3000mm
	Drop: 300mm - 3000mm	Drop: 300mm - 3000mm	Drop: 300mm - 3000mm
	Maximum Area: 1.1Nm: 5kg   2.0Nm: 8kg   3.0Nm: 12kg	Maximum Area: 6m <sup>2</sup>	Maximum Area: 9m <sup>2</sup>
Roller Tube	Light - 43mm   Standard - 44mm   Heavy Duty - 49mm		
	Optimised for fabric weight and width of blind to reduce tube deflection		

## Optional

Guide Wires	Angle	15° angle from vertical		
	Maximum Area	6m <sup>2</sup>		
Headbox Options	Type	QS8 Headbox	90mm Round Headbox or Fascia	90mm Square Headbox or Fascia
	Dimensions	90mm x 90mm	92mm x 90mm	92mm x 90mm
	Maximum	4800mm maximum width	4800mm maximum width	4800mm maximum width
	Colours	White, Clear Anodised	White, Black, Sandstone, Clear Anodised	White, Black, Sandstone, Clear Anodised

## System Diagrams

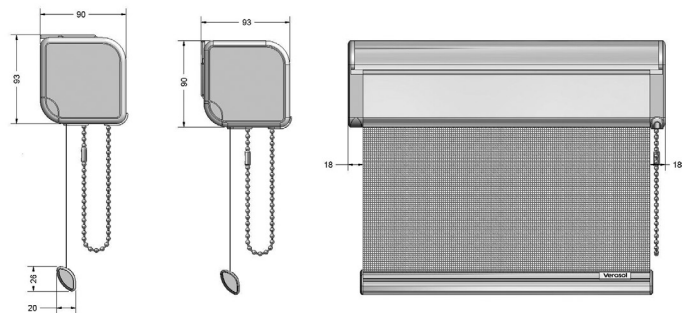
### Ambience Roller Blind



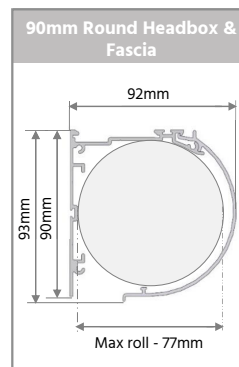
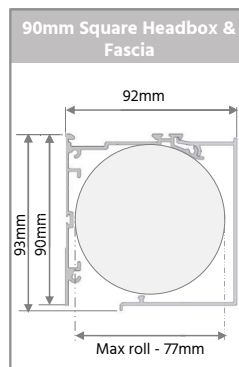
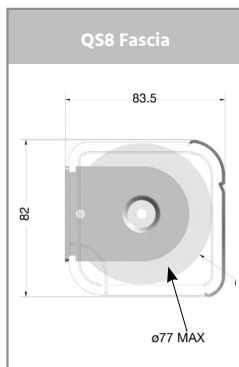
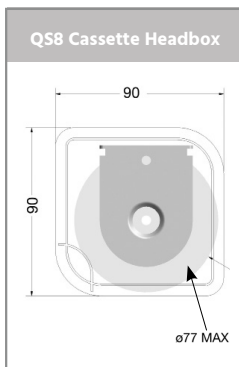
Top Fix

Face Fix

### Ambience Roller Blind with Headbox



## Headbox & Fascia Options



### Ambience Roller Blind Headbox | Fascia | Square or Round

