

Ambience Multi-Link Roller Blind

Product Information

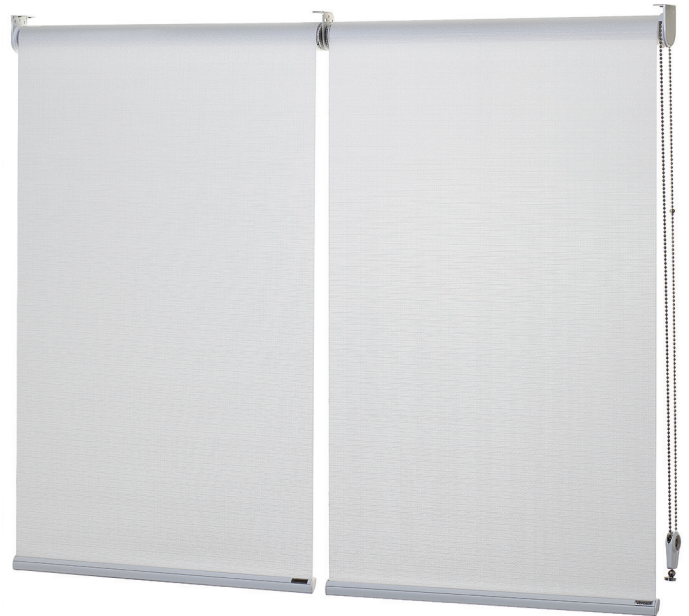
Ambience Multi-Link Roller Blind is an ideal solution to operate multiple blinds for larger window spans with a single chain, eliminating unsightly cords. Resulting in better light control, greater privacy, uninterrupted views, and indoor / outdoor accessibility.

Two blinds in one, the multi-link twin is elegant and practical. Suitable for both Commercial and Residential use.

The system can utilise a combination of any of the Verosol Roller Fabrics – select a blackout fabric for total privacy or a transparent or semi-transparent fabric to provide vision through.

Further Information

To find out more information call Verosol Customer Care on 1800 721 404 or visit www.verosol.com.au



Technical Information

Product Code	R202.0	
Product Name	Ambience Multi-Link Roller Blind	
Operation	Stainless Steel Chain Operation	
Dimensions	Width	300mm minimum - 3000mm maximum
	Drop	300mm minimum - 3000mm maximum
	Spring Assist	850mm minimum width
	Maximum Area	15m ² over 3 sections
Roller Tube	Light	43mm - optimised for fabric weight and width of blind to reduce tube deflection
	Standard	44mm - optimised for fabric weight and width of blind to reduce tube deflection
	Heavy Duty	49mm - optimised for fabric weight and width of blind to reduce tube deflection
Base Rail Options	Flat [11mm x 22mm], Round [22mm], Verosol [17mm x 28mm] or Elliptical [11mm x 22mm]	
	Colours	Paint: White, Black and Sandstone, Anodised: Clear
Control	Mechanism	Direct action, high tensol would steel spring which operated in such a way that it only applies the precise braking power necessary to keep the blind in the desired position.
	Idler	Extendable pin idle-end for easy installation. The idle-end extends up to 10mm in increments of 1mm for improved installation.
	Colours	Paint: White, Black, Sandstone and Silver Grey
	Chain	PVC, Nickel Plated Steel or Stainless Steel
Brackets	Material	Press formed steel, pre-treated and powder coated
	Colours	White, Black, Sandstone and Silver Grey

Turn over for motorisation and optional extras

Ambience Multi-Link Roller Blind

Motorisation

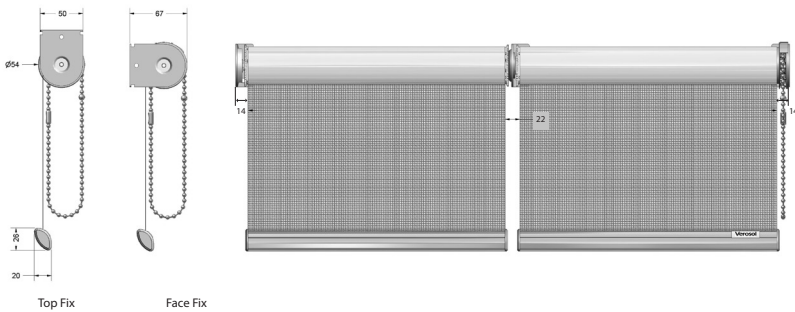
Product Code	R202.6		R202.1	R302.4 R302.5
Product Name	Ambience Multi-Link Roller Blind		Wirefree Multi-Link Roller Blind	12V Wirefree Sonesse 30 RTS
Operation	240V AC Motorised		5V 12V Wirefree	12V Wirefree Sonesse 40 RTS
Dimensions	Width	600mm min - 3000mm max Max Width: 3000mm	Min Width: 2Nm: - 880mm 3Nm: 1090mm	Sonesse 30 RTS Sonesse 40 RTS 825mm min 890mm min
	Motor Types:	LS40 RTS40 LS40 Sonesse RTS40 Sonesse Automate ML Automate EL	Max Width: 3000mm	Max Width: 3000mm
	Drop	300mm min - 3000mm max	300mm min - 3000mm max	300mm min - 3000mm max
	Maximum Area	24m ² over 4 sections	2.0Nm: 8kg 3.0Nm: 12kg	18m ² over 3 sections
Roller Tube	Light	43mm - optimised for fabric weight and width of blind to reduce tube deflection		
	Standard	44mm - optimised for fabric weight and width of blind to reduce tube deflection		
	Heavy Duty	49mm - optimised for fabric weight and width of blind to reduce tube deflection		

Optional

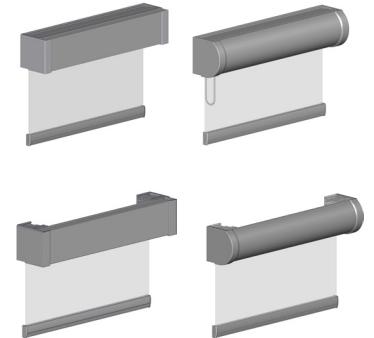
Headbox Options	Type	90mm Square or Round Headbox
	Material	Extruded Aluminium Alloy [T5 Temper]
	Dimensions	92mm x 90mm
	Maximum	4800mm maximum width
	Colours	White, Black, Sandstone and Clear Anodised
Fascia Options	Type	90mm Square or Round Fascia
	Material	Extruded Aluminium Alloy [T5 Temper]
	Dimensions	92mm x 90mm Suitable for Face Fixing
	Maximum	4800mm maximum width
	Colours	White, Black, Sandstone and Clear Anodised

System Diagrams

Ambience Multi-Link Roller Blind



Headbox and Fascia | Square or Round



Headbox & Fascia Options

