

## Ambience Blackout Roller Blind

### Product Information

**Ambience Blackout Roller Blind** offers a robust system ideal for use where ever increased privacy is required, such as home theatres and bedrooms.

The Ambience Blackout Roller Blind is supplied complete with cassette style head box and blackout side channels.

Suitable for residential use, Ambience Blackout Roller Blind is available in chain control operation only.

### Further Information

To find out more information phone Verosol Customer Care on 1800 721 404 or visit [www.verosol.com.au](http://www.verosol.com.au)



### Technical Information

Product Code	R205.0	
Product Name	Ambience Blackout Roller Blind	
Operation	Stainless Steel Chain Operation	
Dimensions	Width	500mm minimum - 3000mm maximum
	Drop	500mm minimum - 3000mm maximum
	Spring Assist	850mm minimum width
	Maximum Area	6m <sup>2</sup> without spring assist / 8m <sup>2</sup> with spring assist
Roller Tube	Light	43mm - optimised for fabric weight and width of blind to reduce tube deflection
	Standard	44mm - optimised for fabric weight and width of blind to reduce tube deflection
	Heavy Duty	49mm - optimised for fabric weight and width of blind to reduce tube deflection
Base Rail	Standard	Flat Base Rail [11mm x 22mm]   D30 Silent [13mm x 29mm]
	Colours	Paint: White, Black and Clear Anodised
Control	Mechanism	Direct action, high tensile cold steel spring which operated in such a way that it only applies the precise braking power necessary to keep the blind in the desired position.
	Idler	Extendable pin idle-end for easy installation. The idle-end extends up to 10mm in increments of 1mm for improved installation.
	Colours	Paint: White, Black, and Silver Grey
	Chain	PVC, Nickel Plated Steel or Stainless Steel
Brackets	Material	Press formed steel, pre-treated and powder coated
	Colours	White, Black, and Silver Grey

Turn over for Side Guide, Headbox Options, System information & Daigrams

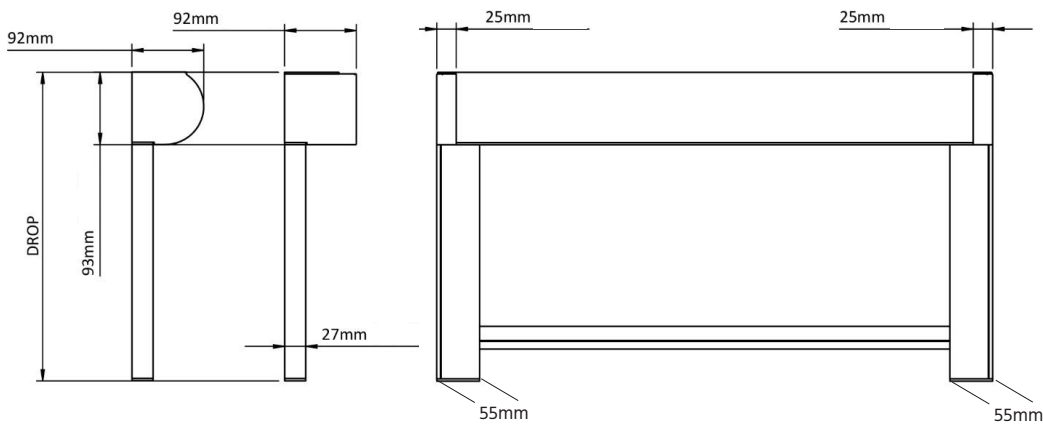
# Ambience Blackout Roller Blind

## Side Guides & Headbox

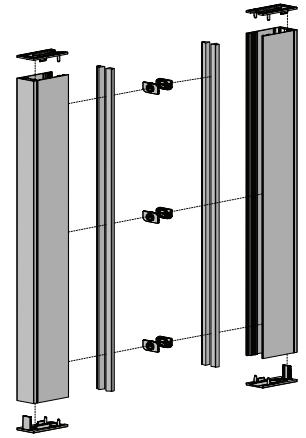
Side Guides	Type	Two-piece guide inclusive mounting frame and snap in guide
	Material	Extruded Aluminium Alloy [T5 Temper]
	Dimensions	25mm D x 55mm W
	Fixing	Side Fix or Face Fix
Headbox	Type	Headbox Round or Square
	Material	Extruded Aluminium Alloy [T5 Temper]
	Dimensions*	92mm x 93mm
	Maximum	4800mm maximum width
	Colours	White, Black, and Clear Anodised

## System Diagrams

### Ambience Blackout Roller Blind



### Ambience Blackout Side Guide



## Headbox - Round | Square\*

