

Ambience Blackout ZIP Roller Blind

Product Information

Ambience Blackout ZIP Roller Blind offers a robust system ideal for use where ever complete privacy and light control is required, such as home cinemas, conference rooms, hotel rooms and bedrooms.

The Ambience Blackout ZIP Roller Blind is supplied complete with cassette style head box and blackout side channels.

Suitable for both commercial and residential use, Ambience Blackout ZIP Roller Blind is available as chain control or 240V AC motorised operation.

Further Information

To find out more information phone Verosol Customer Care on 1800 721 404 or visit www.verosol.com.au



Technical Information

Product Code	R209.0	
Product Name	Ambience Blackout ZIP Roller Blind	
Operation	Stainless Steel Chain Operation	
Dimensions	Width	1000mm minimum - 3000mm maximum
	Drop	500mm minimum - 3000mm maximum
	Spring Assist	1000mm minimum width
	Maximum Area	8m ² with spring assist
Roller Tube	60mm	60mm Dia - optimised for fabric weight and width of blind to reduce tube deflection
	80mm	80mm Dia - optimised for fabric weight and width of blind to reduce tube deflection
Base Rail	Standard	Extruded Aluminium Standard Base Rail 56mm x 25mm
	Colour	Custom powder coated to order
Control	Mechanism	Direct action, high tensile wound steel spring which operated in such a way that it only applies the precise braking power necessary to keep the blind in the desired position.
	Idler	Bearing idler with fixed high tensile steel shaft
	Colour	Black
	Chain	Stainless Steel
Brackets	Material	Press formed steel, pre-treated mill finish
	Colour	Custom powder coated to order

Turn over for motorisation and optional extras

Ambience Blackout ZIP Roller Blind

Motorisation

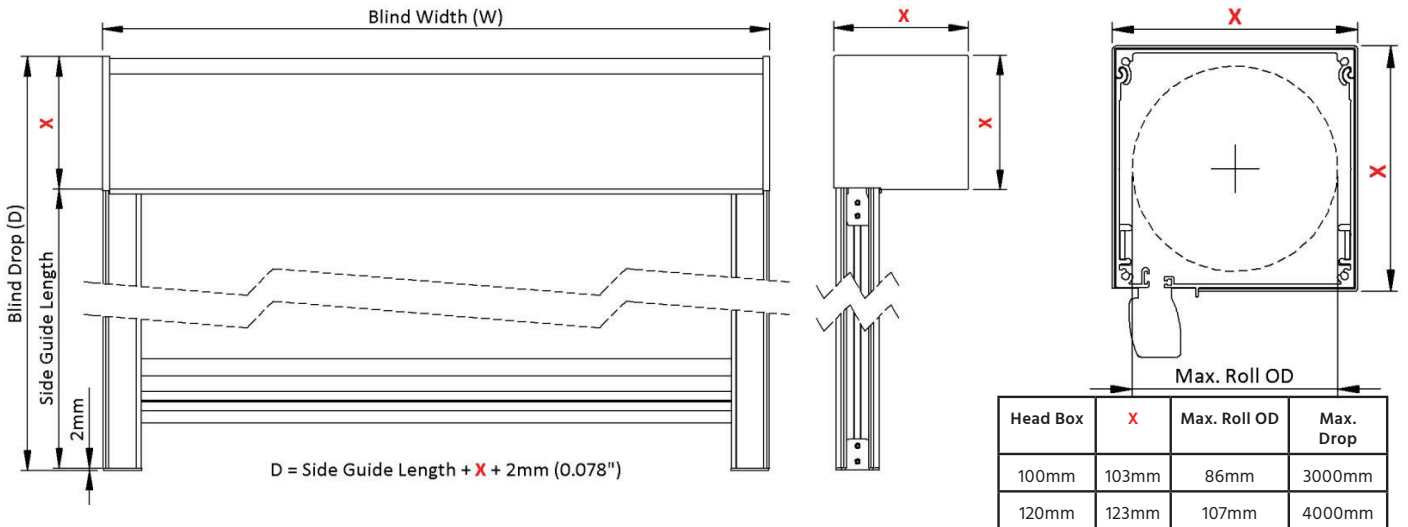
Product Code	R209.6		
Product Name	Ambience Blackout ZIP Roller Blind		
Operation	240V AC Motorised LS40 RTS40 LS40 Sonesse RTS40 Sonesse Automate ML Automate EL		
Dimensions	Width	800mm min - 4000mm max [^]	[^] refer to reference table below
	Drop	500mm min - 3000mm max [100mm Head box]	500mm min - 4000mm max [120mm Head box]
	Maximum Area	9m ²	
Roller Tube	60mm	60mm - optimised for fabric weight and width of blind to reduce tube deflection	
	80mm	80mm - optimised for fabric weight and width of blind to reduce tube deflection	

Side Guides & Headbox

Side Guides	Type	Side guide channel inclusive of inner rail with zip and cover strip [cover strip black or white only]	
	Material	Extruded Aluminium Alloy [T5 Temper]	
	Colour	Custom powder coated to order	
	Dimensions	33mm D x 48mm W	
	Fixing	Side Fix or Face Fix	
Headbox	Square	100mm	120mm
	Dimensions*	103mm x 103mm	123mm x 123mm
	Material	Extruded Aluminium Alloy [T5 Temper]	
	Maximum	4000mm maximum width	
	Colour	Custom powder coated to order [Head Box End Caps Available Only Black, White, Grey]	

System Diagrams

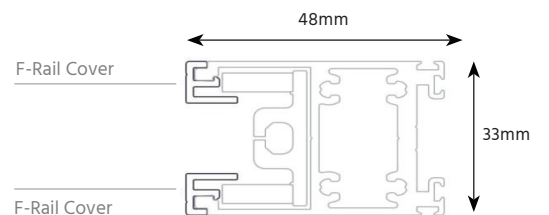
Ambience Blackout ZIP Roller Blind



System Minimum & Maximum Sizes | Tube Reference Table

DROP (mm)	WIDTH (mm)															
	800	1000	1250	1500	1750	2000	2250	2500	2750	3000	3250	3500	3750	4000		
500																
750																
1000																
1250																
1500																
1750																
2000																
2250																
2500																
2750																
3000																
3250																
3500																
3750																
4000																

Ambience Blackout ZIP Side Guide



HEADBOX SIZE ROLLER TUBE REFERENCE
BOX 100 + 60mm TUBE
BOX 120 + 80mm TUBE
NOT AVAILABLE